

Hörmann Retractable Plus

Maximum clear passage for narrow openings

New Construction Features:

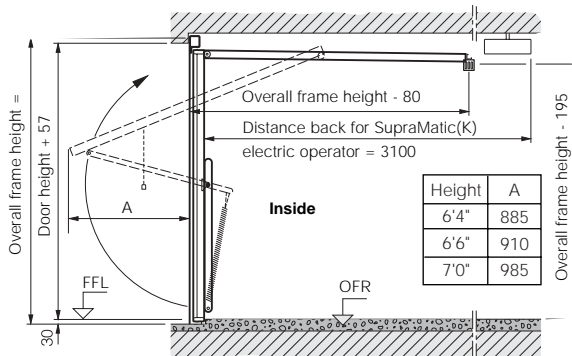
- Newly designed arm
- Non-protruding springs



Still conforming to BS EN 12604 but using specially designed lifting arms and bottom spring bracket whilst retaining many of the tried and tested components to produce this "retractable plus" gear. This gear allows for a clear drive through passage substantially higher than standard retractable gear (see table).

Available for door sizes:

Door height	Clear height below lifting arms
7'0"	1260
6'6"	1105
6'4"	1055



- ① Newly designed arm
- ② Non-protruding springs for increased clear passage!

**Hörmann (UK) Ltd, Gee Road, Coalville, Leicestershire LE67 4JW,
Tel (01530) 513000, Fax (01530) 513001**



(Issue 08.02) 85031 E/UK
Print 08.02